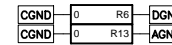
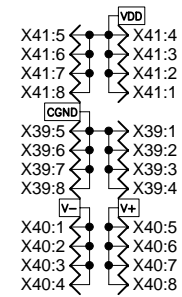
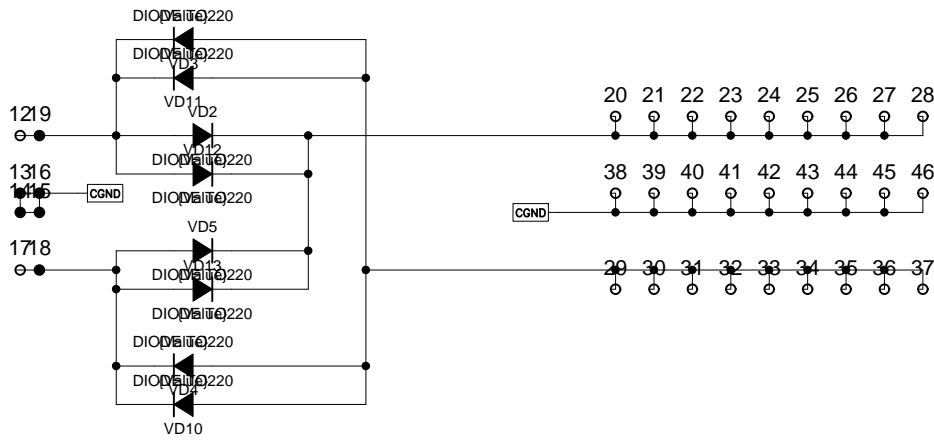
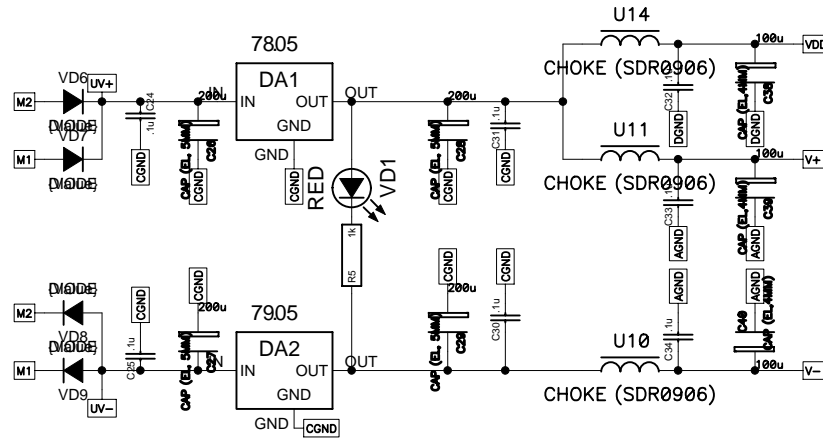
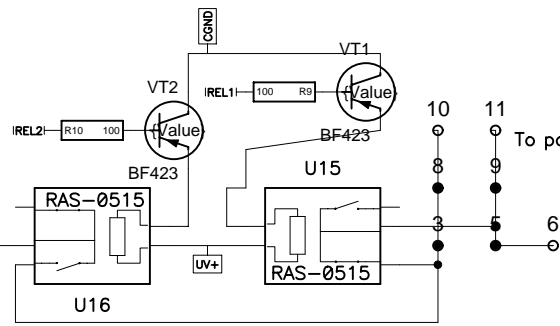
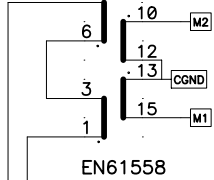


From Power transformer



47



mains in

to Power transformer

Title		{Title}
Size	Number	Rev
{Drawing Number}		{Revision}
Date	Fri Jan 20, 2006	Drawn by {Drawn By}
Filename	amp-ctrl.sch	Sheet 2 of 2